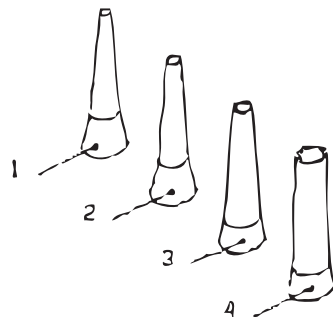
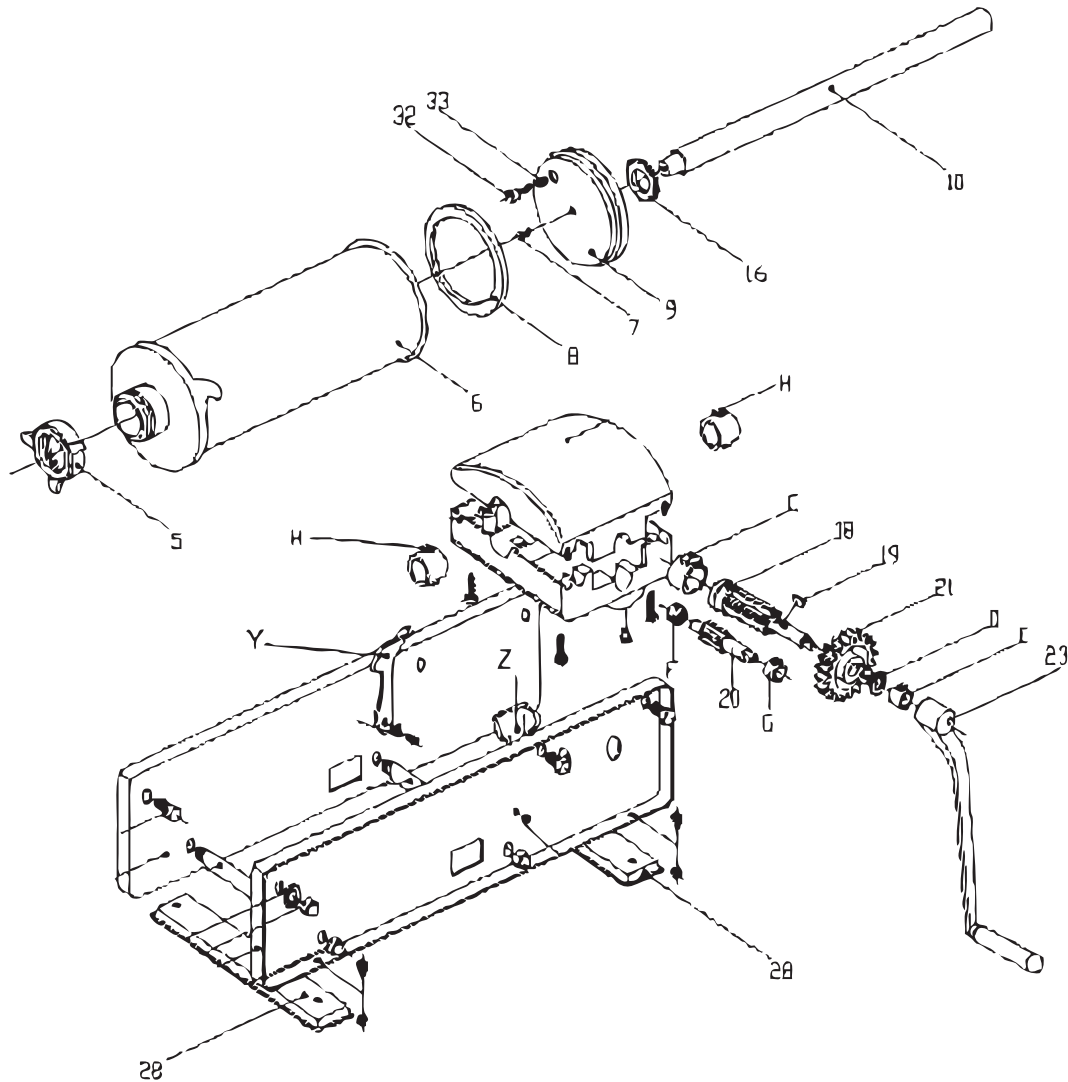


Parts Breakdown

Item 13732



$$32+33= 132$$

$$8+9= 108$$

$$Y+Z= 13$$

$$C+D+E+F+G+H=44$$

Parts Breakdown

Item 13732

Item No.	Description	Position	Item No.	Description	Position	Item No.	Description	Position
10124	Plastic Spout 10mm for 13732	1	15274	Gasket Silicone for 13732	8	15278	Reducer Wheel for 13732	21
10125	Plastic Spout 20mm for 13732	2	15275	Gear Rack for 13732	10	15272	Handle for 13732	23
10126	Plastic Spout 30mm for 13732	3	AD705	Cylinder Holder for 13732	13	27642	Foot for 13732	28
10127	Plastic Spout 40mm for 13732	4	27636	Washer Between Rack and Piston for 13732	16	21177	Bushing Kit Plastic for 13732	44
15279	Screw Ring for 13732	5	15277	Rack Controlling Shaft for 13732	18	15280	Piston and Gasket for 13732	108
24042	Cylinder for 13732	6	21594	Key for 13732	19	15313	Air Valve and Spring for 13732	132
15285	Piston Screw for 13732	7	15276	Pinion for 13732	20	72256	Complete Gear Block for 13732	